

S E R V I C E N O T E

SUPERSEDES	NONE
HP 5343A Microwave Frequency Counter	
Serial Numbers: 2826A02787/2826A02798 See text for excluded serial numbers.	
A1 Display Assembly P/N 05342-60004 Revision E HP-IB LED Indicators May Give Erroneous Indications	
To Be Performed By: HP-qualified personnel	
Parts Required: None	
Situation:	
Some Revision E A1 Display Assemblies have been constructed with improperly connected HP-IB LED indicators. These indicators will light after certain combinations of key presses. This problem only affects the front-panel display of the actual state of the instrument. It indicates activity on the HP-IB bus when none is actually present. Excluded serial numbers are 2826A02791, 2826A02793, and 2826A02795	
Solution/Action:	
If the A1 Display Assembly has the two jumpers shown in Figure 1, this is the working version of the revision E boards. If the board does NOT have these jumpers, it needs to be repaired.	
DATE	16 JUNE 1989

ADMINISTRATIVE INFORMATION

SERVICE NOTE CLASSIFICATION:			
MODIFICATION RECOMMENDED			
ACTION CATEGORY:	<input type="checkbox"/> IMMEDIATELY <input checked="" type="checkbox"/> ON SPECIFIED FAILURE <input type="checkbox"/> AGREEABLE TIME	STANDARDS: LABOR 1.0 HOURS	
LOCATION CATEGORY:	<input type="checkbox"/> CUSTOMER INSTALLABLE <input type="checkbox"/> ON-SITE <input checked="" type="checkbox"/> HP LOCATION	SERVICE INVENTORY: <input type="checkbox"/> RETURN <input type="checkbox"/> SCRAP <input checked="" type="checkbox"/> SEE TEXT	USED PARTS: <input type="checkbox"/> RETURN <input type="checkbox"/> SCRAP <input checked="" type="checkbox"/> SEE TEXT
AVAILABILITY:	PRODUCT'S SUPPORT LIFE	RESPONSIBLE ENTITY: 0200 UNTIL: 16 June 1991	
AUTHOR:	ENTITY:	ADDITIONAL INFORMATION:	
BOB KELLEY	0200		



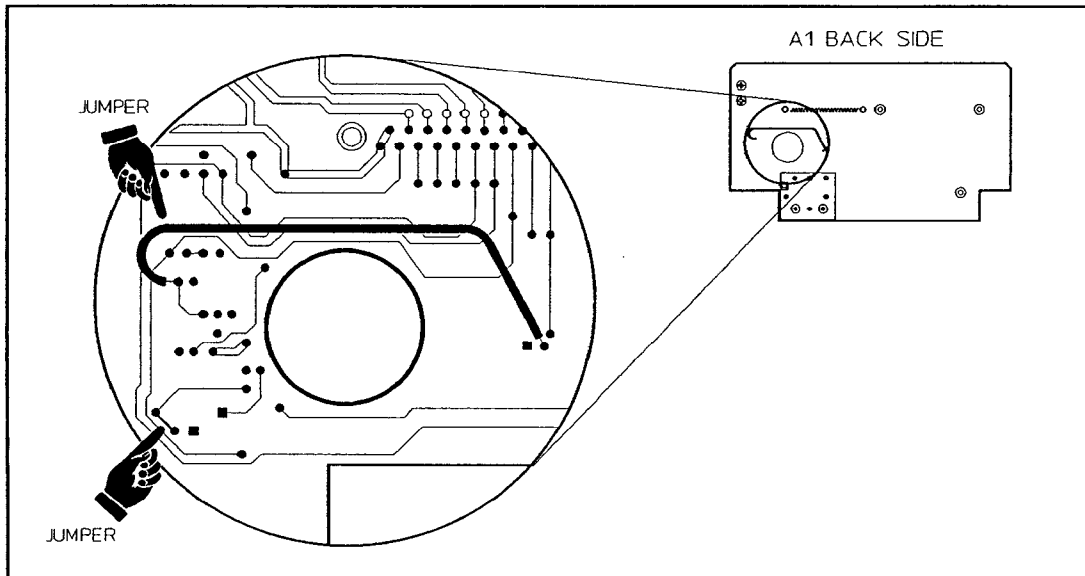


Figure 1. Good Revision E A1 Display Assembly (Back Side)

CLAL:LM

Repair Procedure:

1. You must solder two jumpers on the back side of the A1. The jumpers are shown on *Figure 1*.
2. You must cut two traces on the front side of the A1. The location of the two cuts are circled on *Figure 2*. The first is to the left of the LISTEN LED, between the cathode of a diode and the words "LISTEN". The second is between the words "TALK" and "REM".

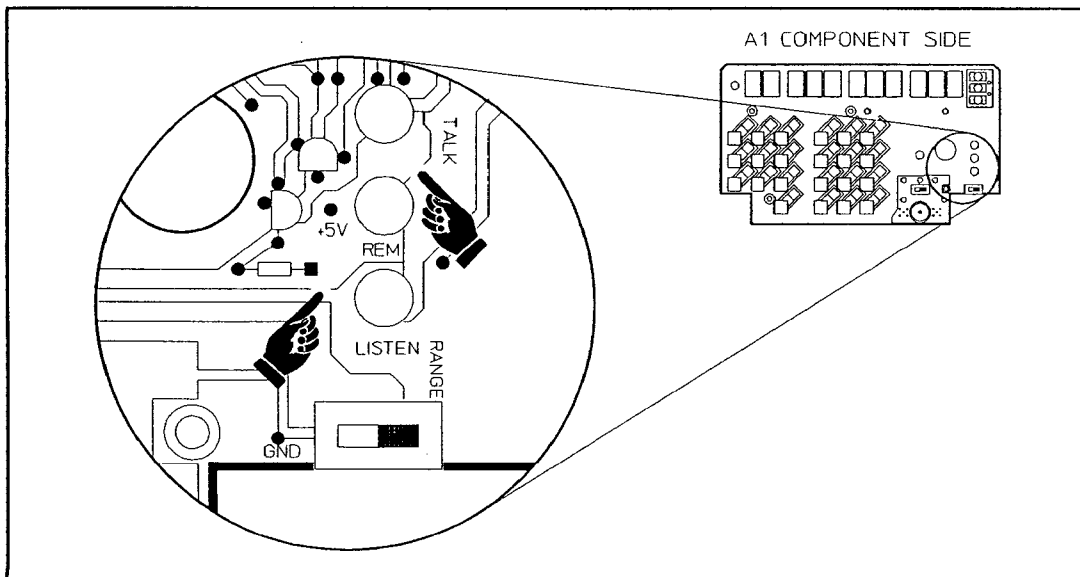


Figure 2. Location of Trace Cuts on Revision E A1 (Front Side)

CLAL:LM

Table 1. HP 5342A Service Notes Addressing 350 MHz Miscount Failures

SERIAL NUMBERS/PREFIXES	SERVICE NOTE	TITLE
2317A07386/2317A07905	5342A-41B	High Frequency Miscount
0000A00000/2440A09236	5342A-42A	High Frequency Miscount
0000A00000/9999A99999	5342A-59	Troubleshooting 350 MHz Miscount Problems

Table 2. HP 5343A Service Notes Addressing 350 MHz Miscount Failures

SERIAL NUMBERS/PREFIXES	SERVICE NOTE	TITLE
2014A and Below	5343A-7	Procedure to Correct Miscounts Between 24 - 26.5 GHz
Prior to 2026A	5343A-8	Procedure to Correct Miscounting Between 18 and 26.5 GHz
2317A01026/2317A01155	5343A-19A	High Frequency Miscount
0000A00000/2424A01674	5343A-20A	High Frequency Miscount
0000A00000/9999A99999	5343A-30A	Troubleshooting 350 MHz Miscount Problems